

///ADSTM
Our reason is **water.**TM

Cost-Saving Stormwater Capture

Karl Gutmann, P.E.
Engineered Product Manager
Advanced Drainage Systems, Inc.





Lifecycle of a Raindrop

Capture



HP Drain Basin



Nyloplast



Duraslot

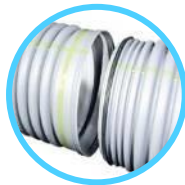


FlexStorm

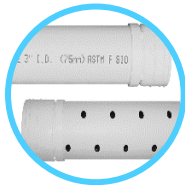
Conveyance



N-12 (HDPE)



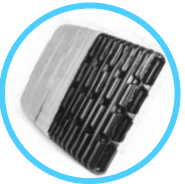
HP Storm (Polypropylene)



Triple Wall



Single Wall



AdvanEDGE



PolyFlex



InsertaTee

Storage



StormTech



HP Storm (Polypropylene)



N-12 (HDPE)

Treatment



StormTech



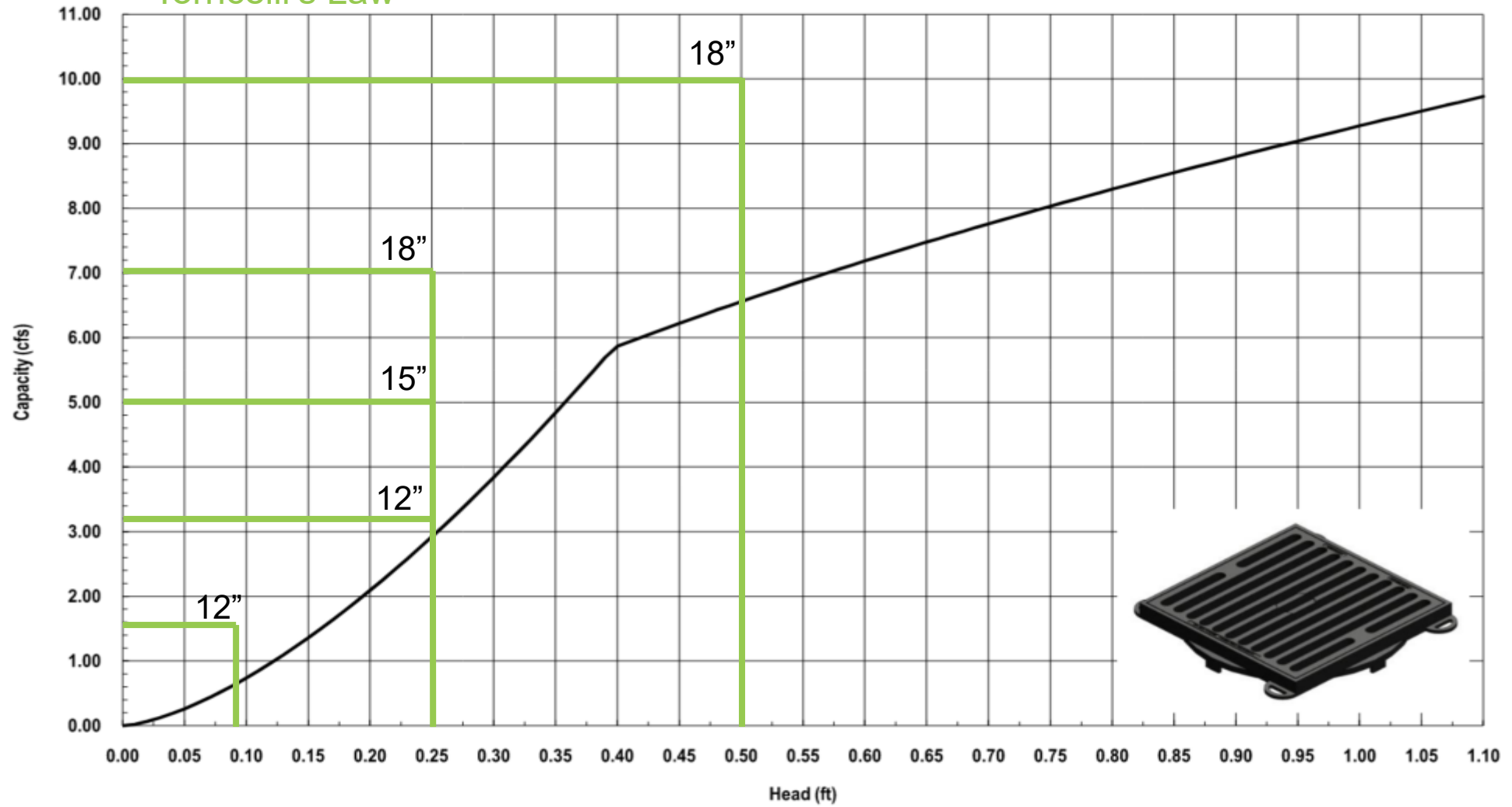
Water Quality Partnership

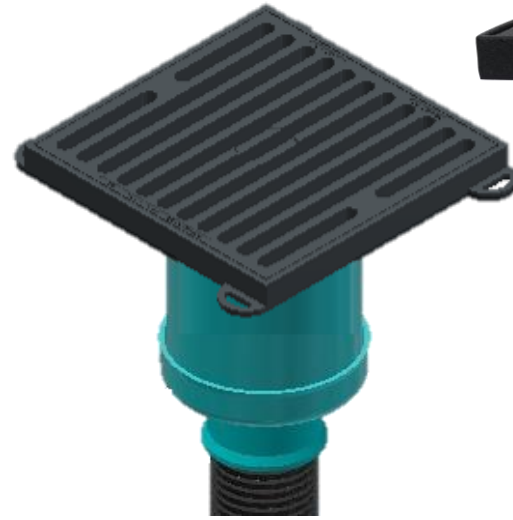
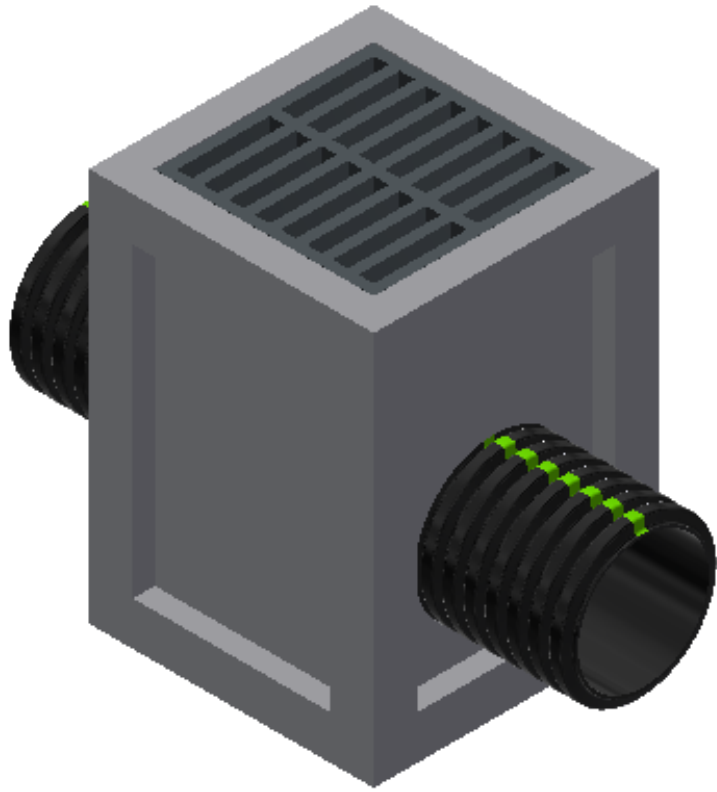
Jacob O'Neill

ALLIED PRODUCT MANAGER
SOUTH FLORIDA

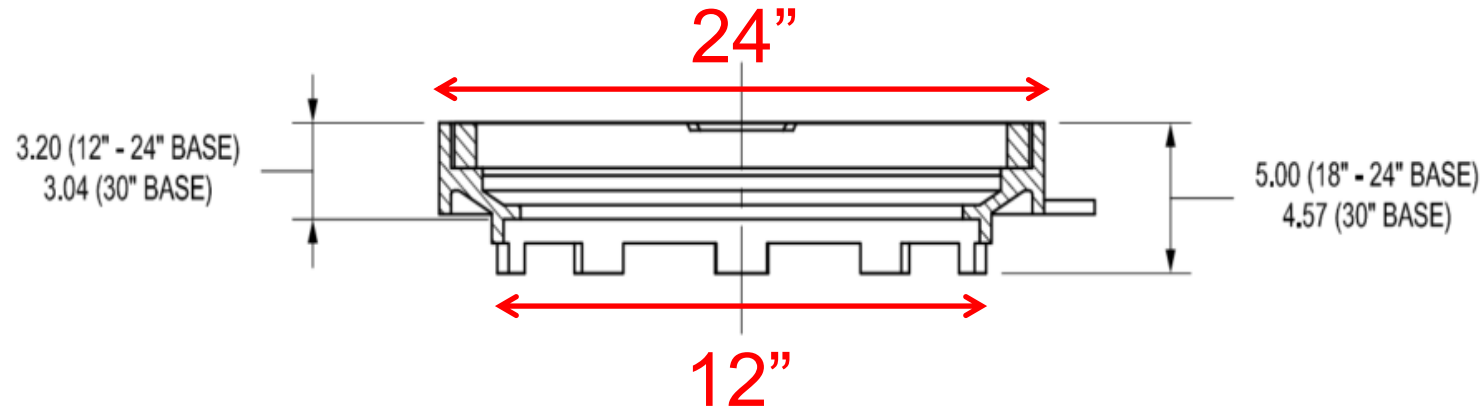
Nyloplast 2' x 2' Road & Highway Grate Inlet Capacity Chart

Torricelli's Law

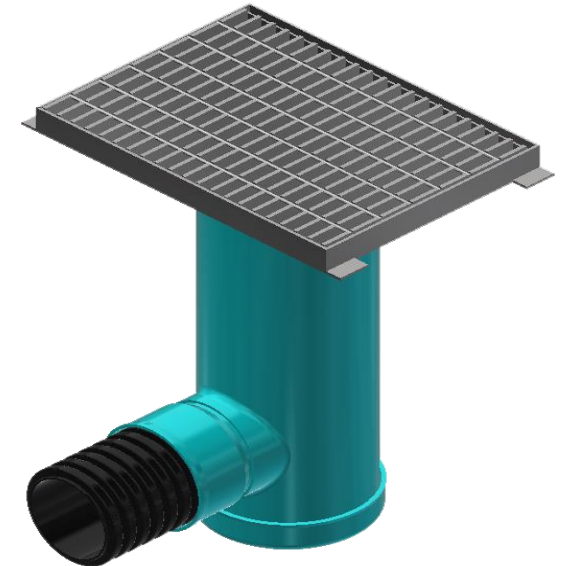
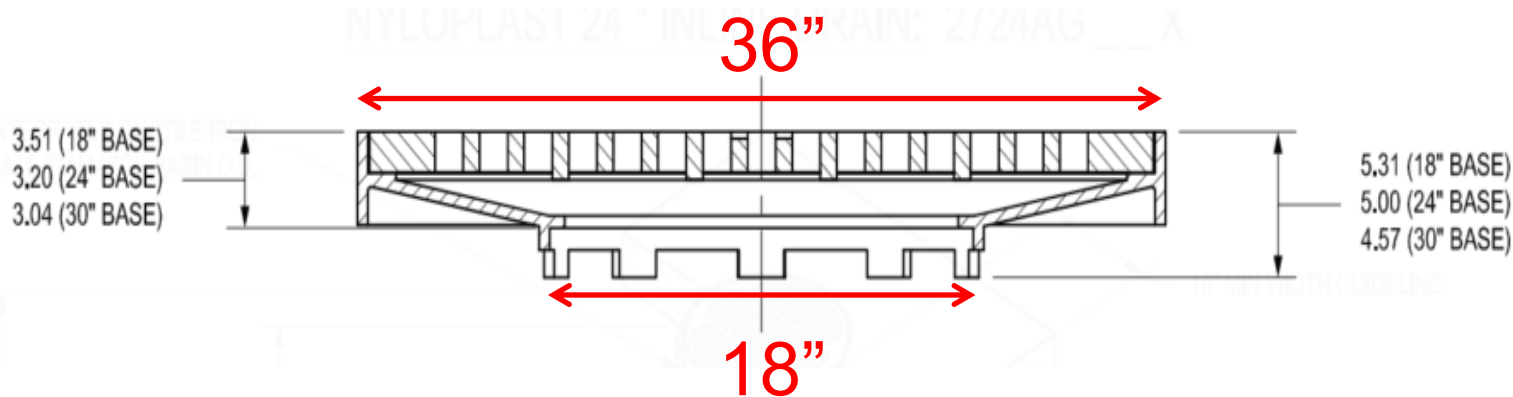




2 FT x 2 FT Road & Highway **REDUCING** GRATE

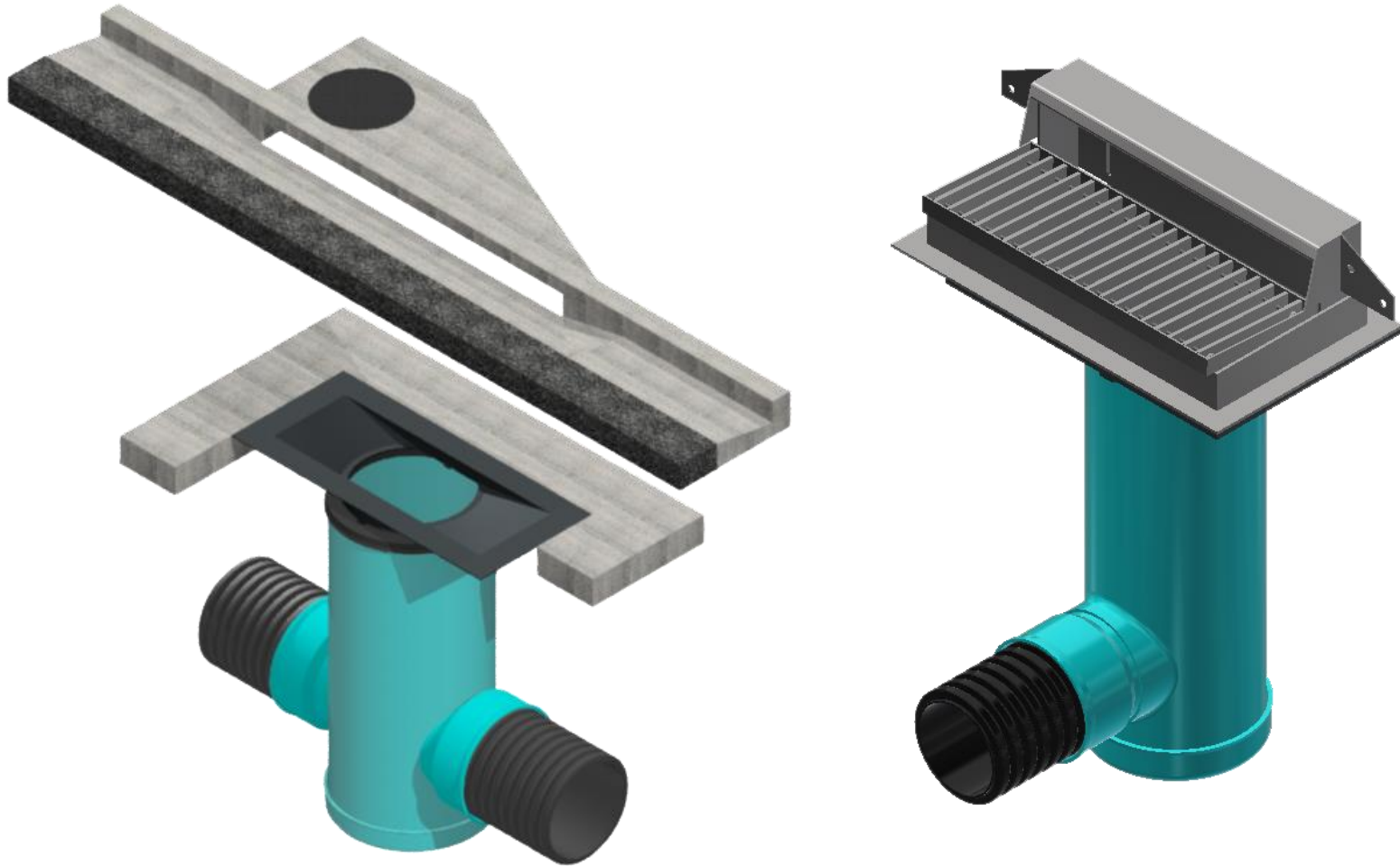


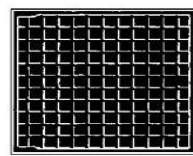
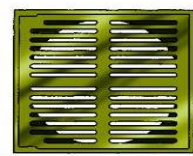
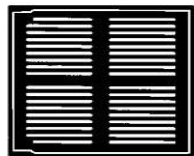
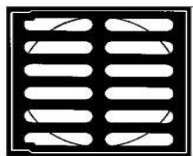
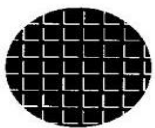
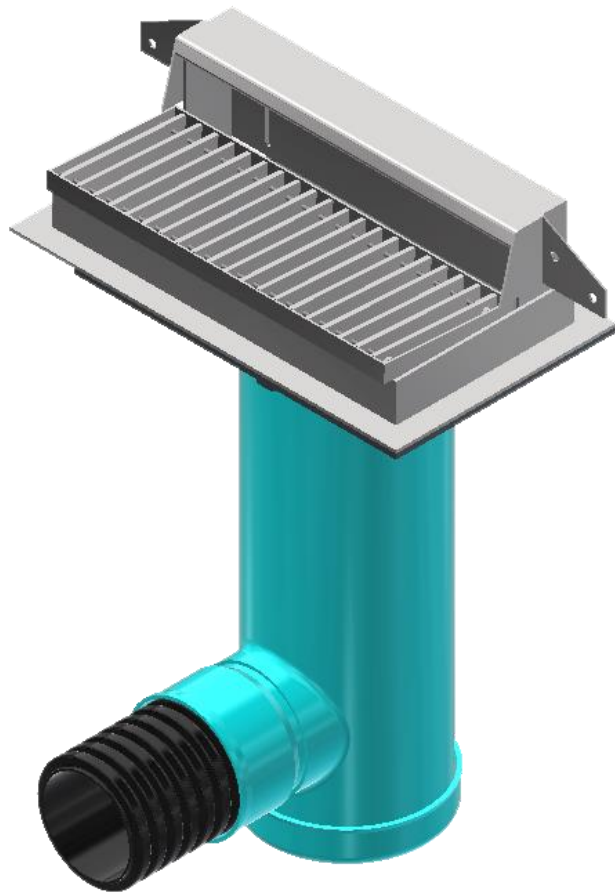
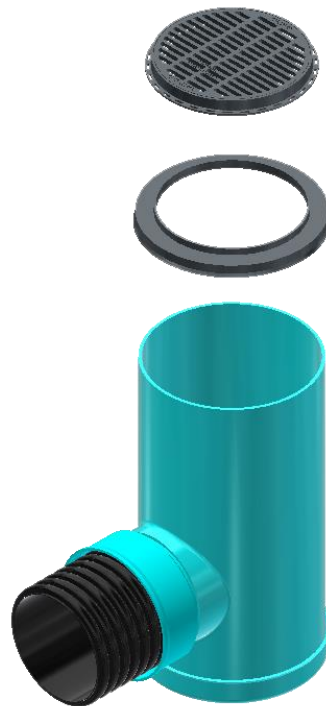
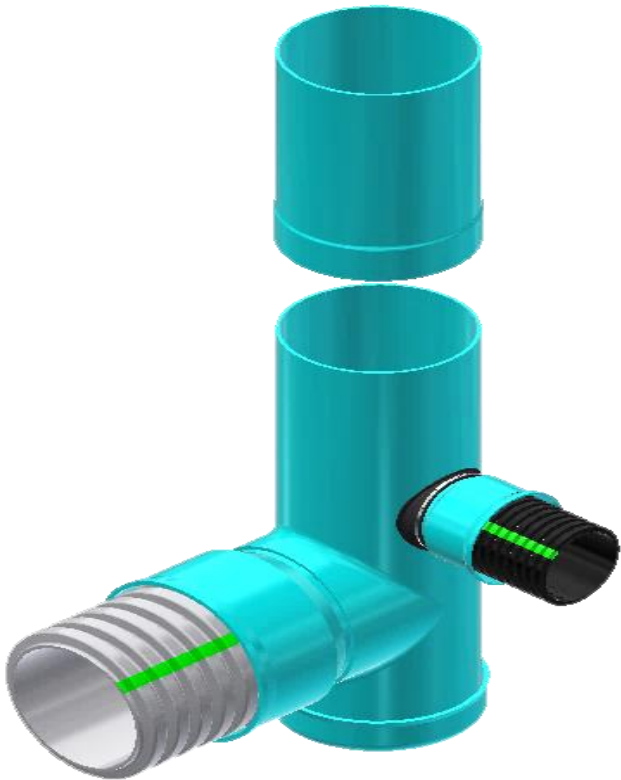
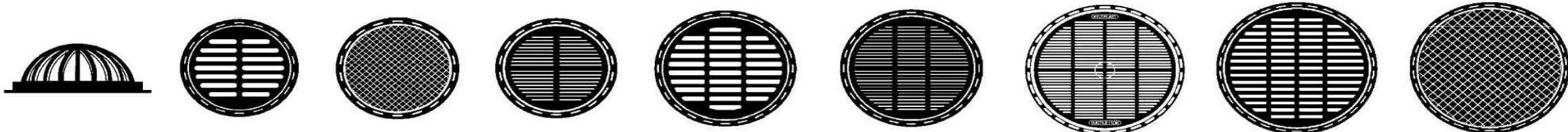
2 FT x 3 FT Road & Highway **REDUCING** GRATE





Curb Inlet



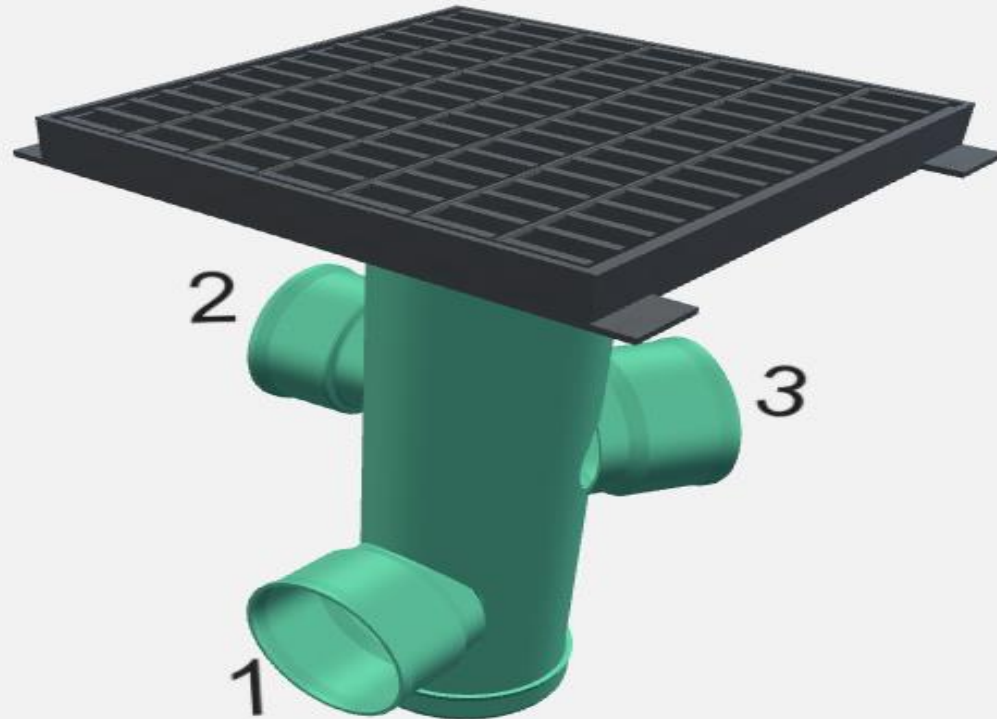


Nyloplast 3D Design Tool

[Login or Create an Account](#)

[BayFilter 3D Design Tool](#)

[Barracuda 3D Design Tool](#)



Site Information

Site Name

FSA Conference

Country

US

State/Province

FL

County

LEE

City

SANIBEL

Unit of Measurement

Imperial

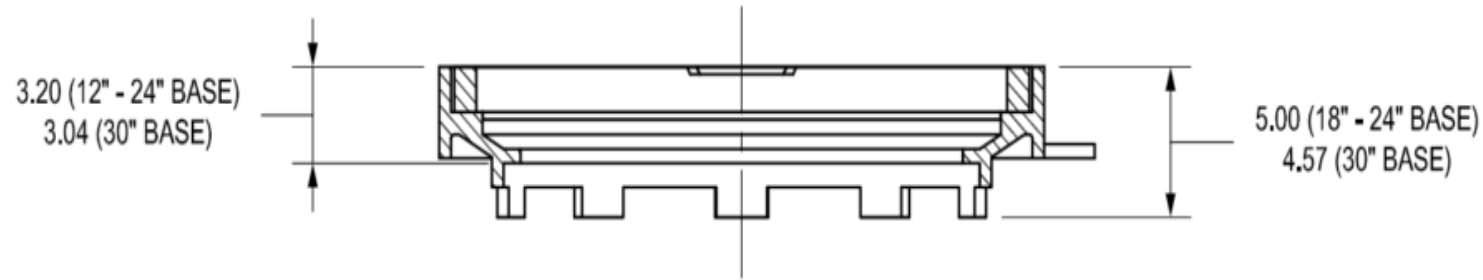
Notes

ADS Order Number

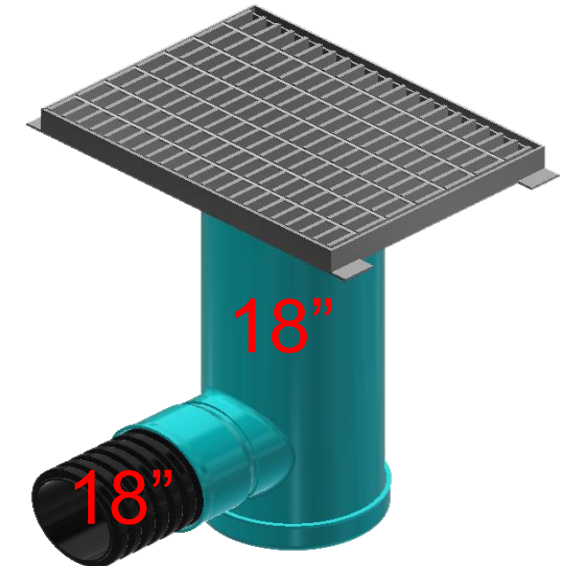
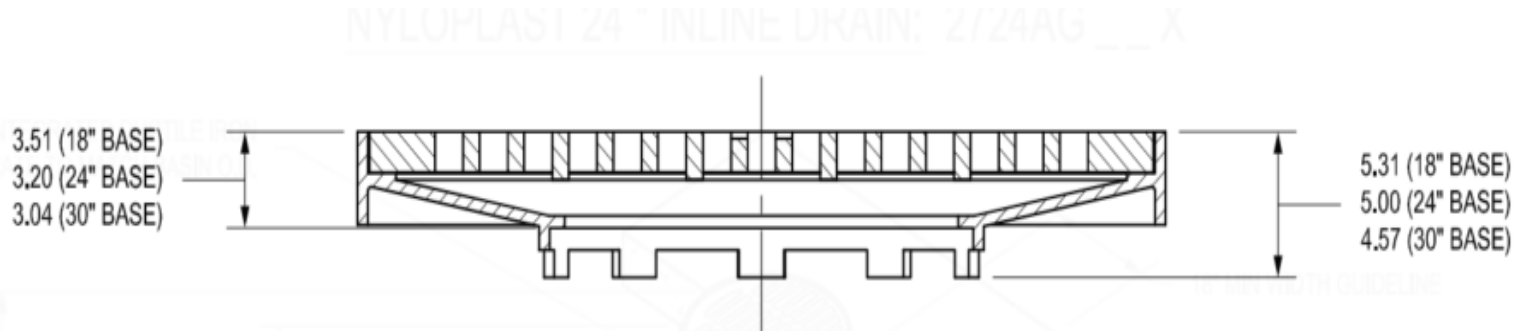
0

PO Number

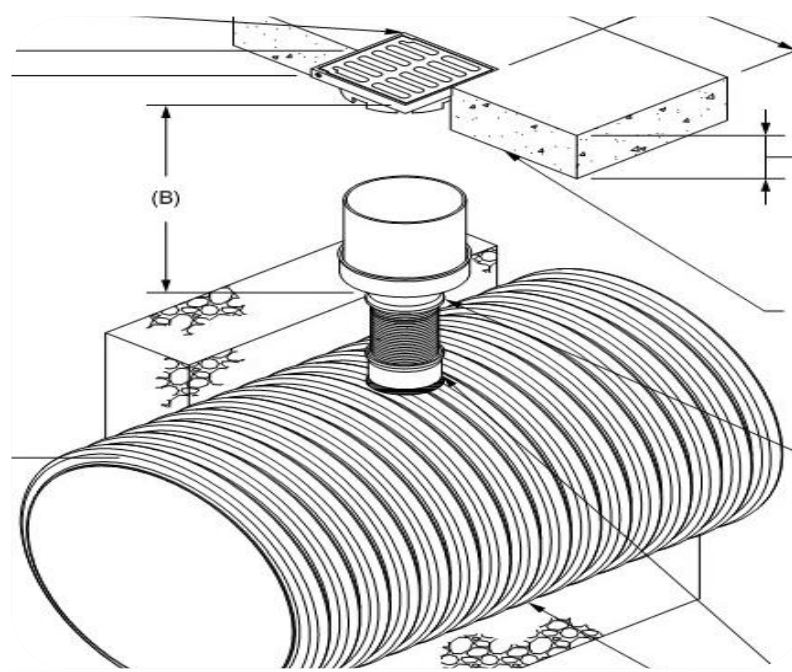
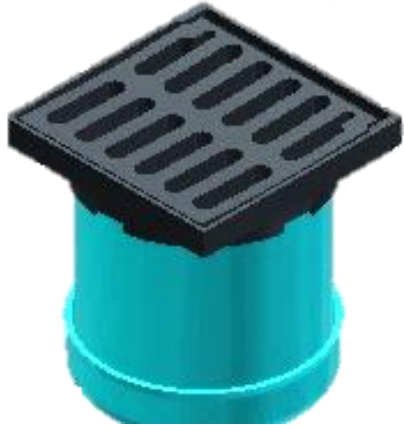
2 FT x 2 FT Road & Highway **REDUCING** GRATE



2 FT x 3 FT Road & Highway **REDUCING** GRATE



Inline Drain



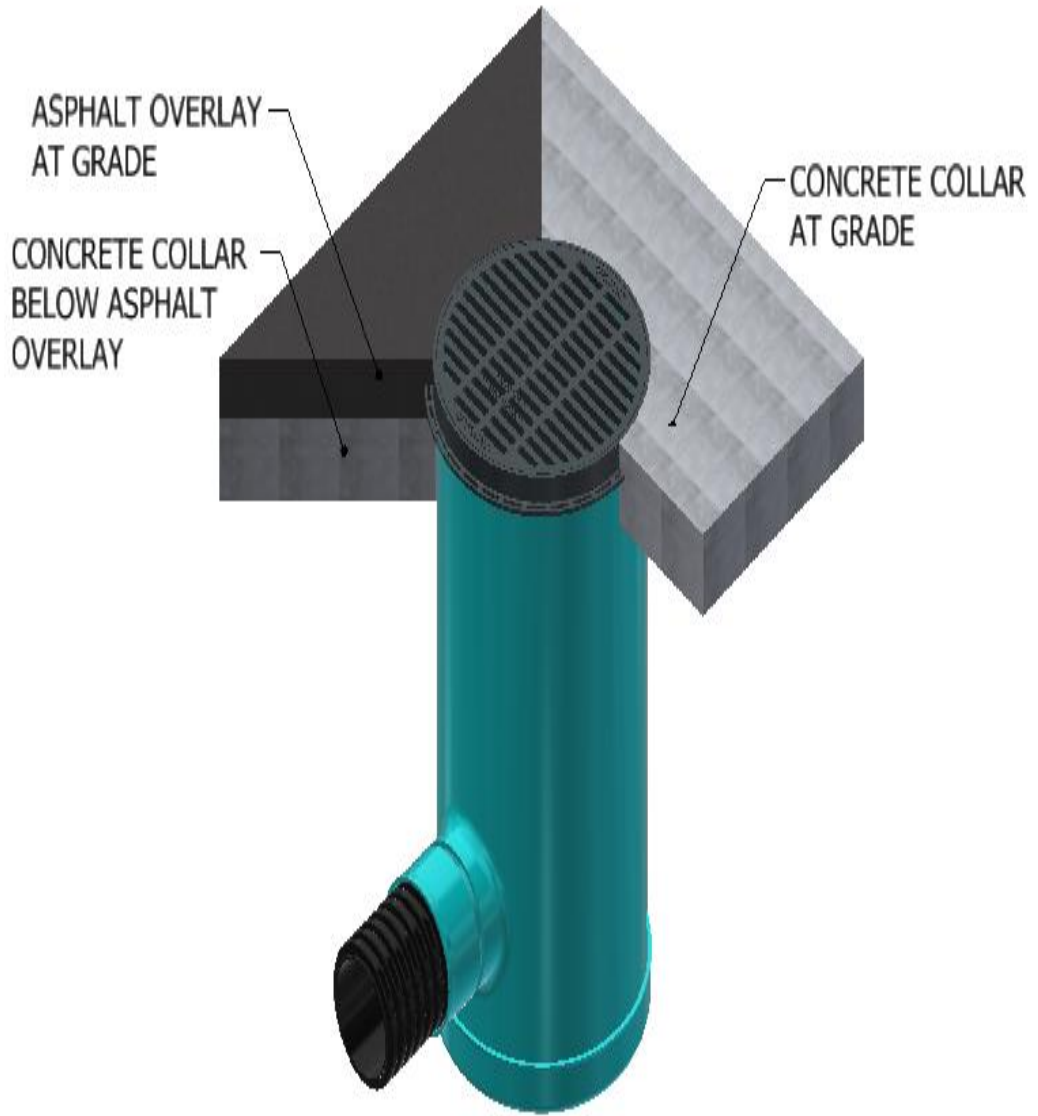


Drop In Grate











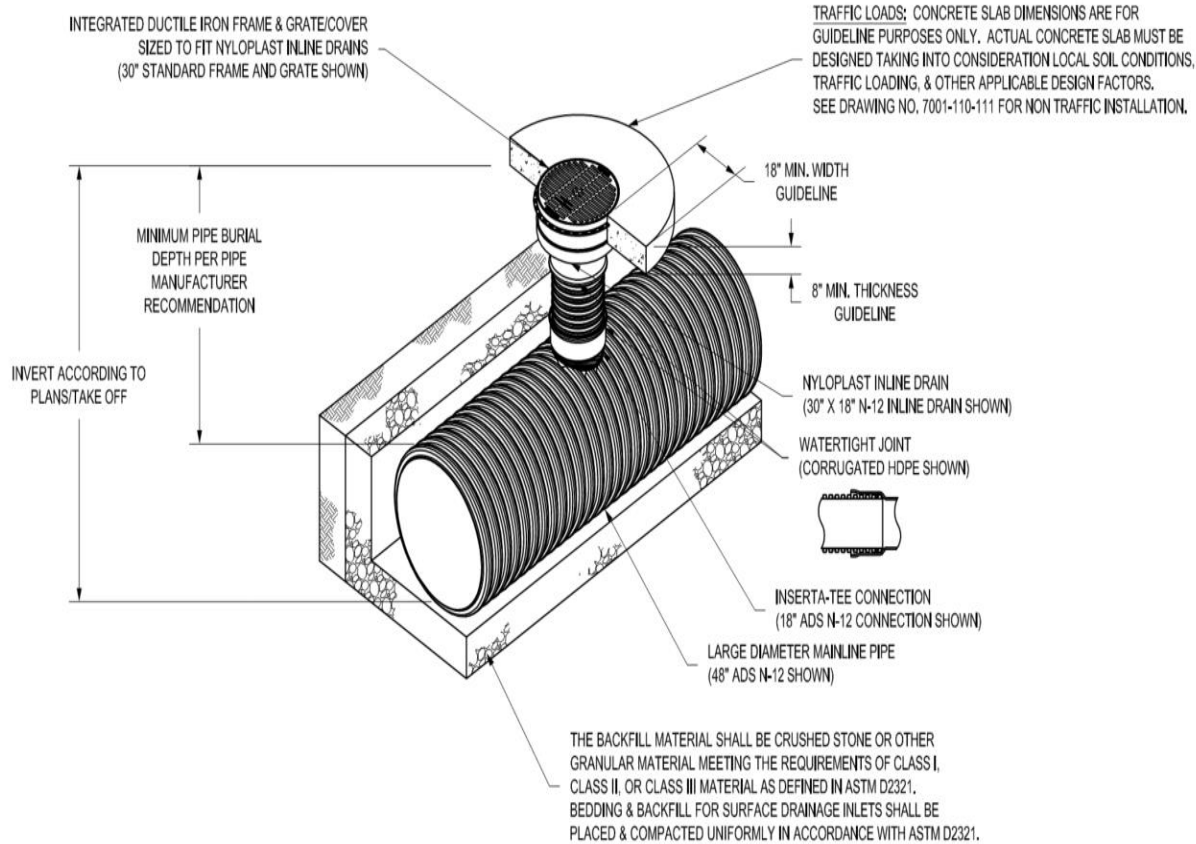




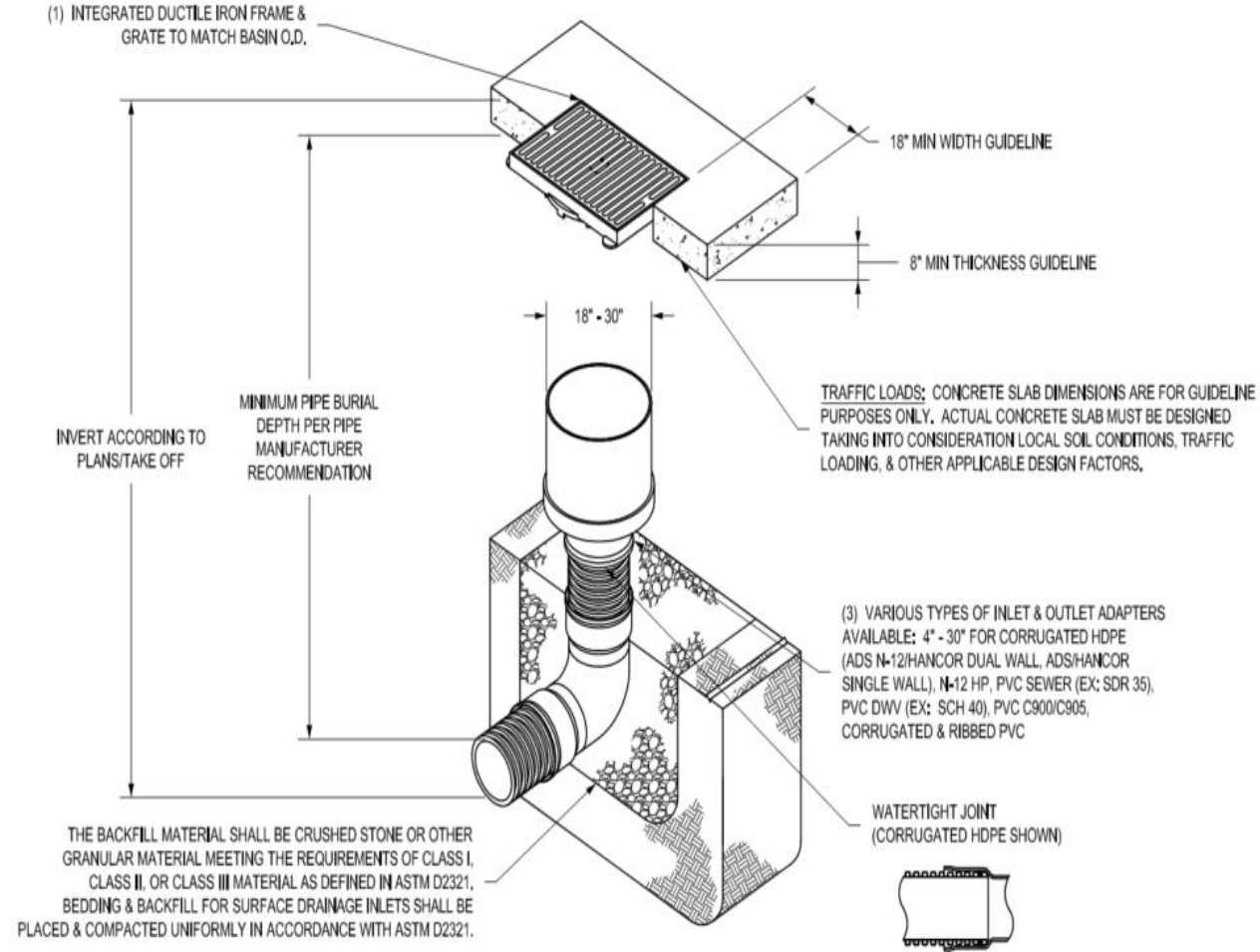


NYLOPLAST INLINE DRAIN USING INSERTA-TEE TO CONNECT TO LARGE DIAMETER MAINLINE

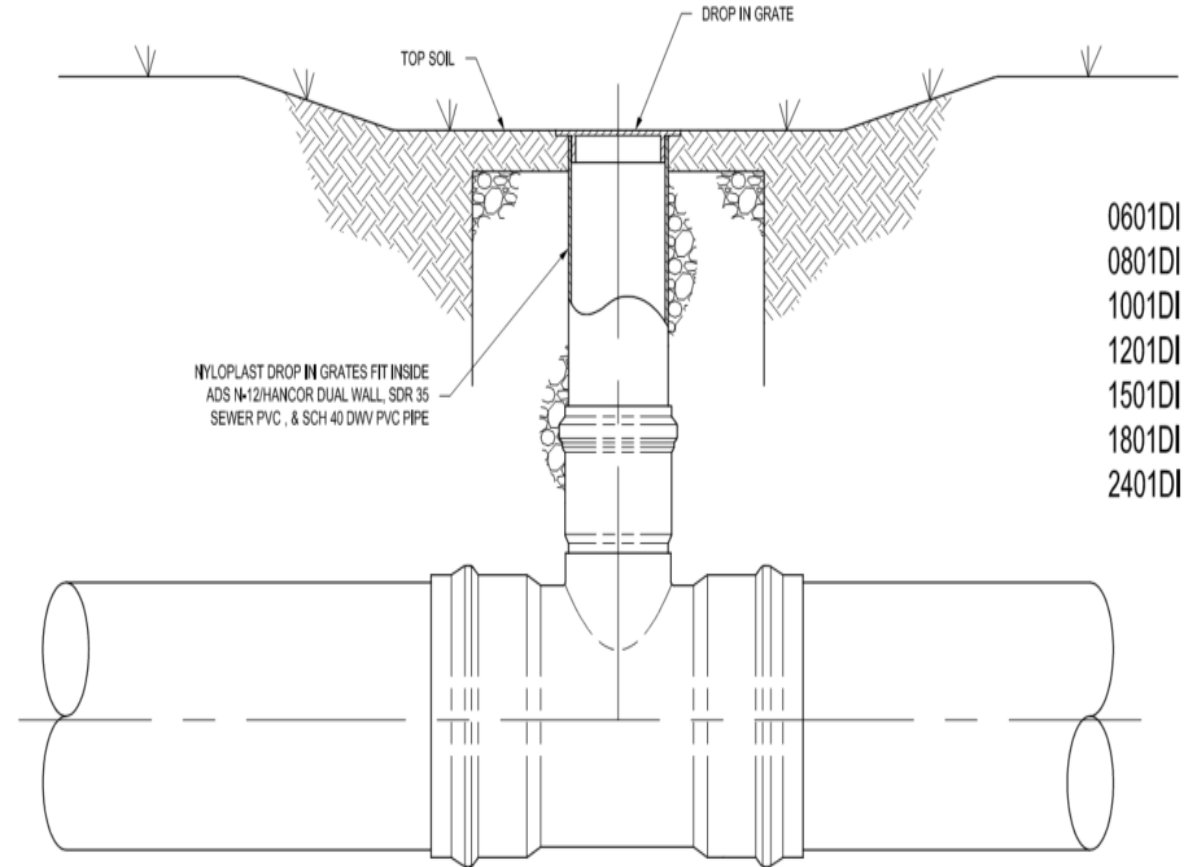
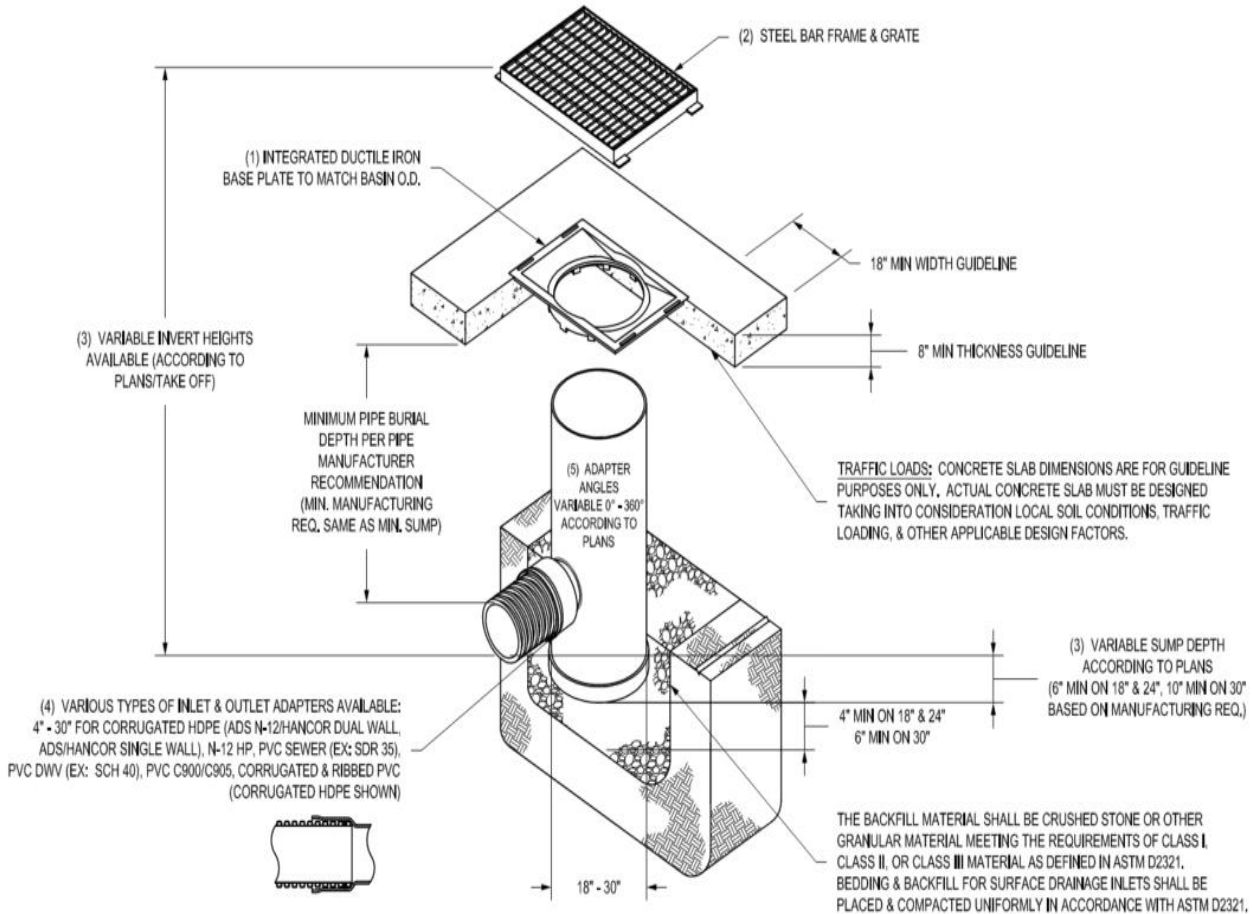
QUICK SPEC INSTALLATION DETAIL



NYLOPLAST INLINE DRAIN WITH 2 FT X 3 FT ROAD & HIGHWAY FRAME & GRATE



NYLOPLAST DRAIN BASIN WITH 2 FT X 3 FT STEEL BAR GRATE



HP Drain Basin

